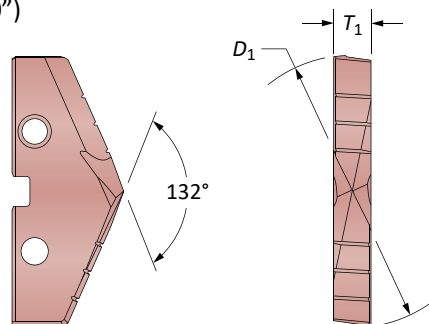
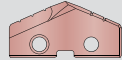



Břítové destičky GEN2 T-A®

Série 4 | HSS | Rozsah průměrů: 46,99 mm - 65,28 mm (1.850" - 2.570")



Destičky HSS – Super Cobalt

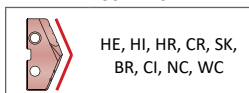
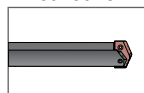
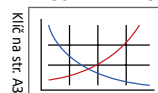
Destička				Kód	
D_1 mm	D_1 inch	Palců (zlomkem)	T_1 mm	 AM200®	 TiN
48.00	1.8898	-	7.94	454H-48	454T-48
48.42	1.9063	1-29/32		454H-0129	454T-0129
49.00	1.9291	-		454H-49	454T-49
49.21	1.9375	1-15/16		454H-0130	454T-0130
50.00	1.9685	-		454H-50	454T-50
50.01	1.9688	1-31/32		454H-0131	454T-0131
50.80	2.0000	2		454H-0200	454T-0200
51.00	2.0079	-		454H-51	454T-51
51.59	2.0313	2-1/32		454H-0201	454T-0201
52.00	2.0472	2-3/64		454H-52	454T-52
52.39	2.0625	2-1/16		454H-0202	454T-0202
53.00	2.0866	-		454H-53	454T-53
53.18	2.0938	2-3/32		454H-0203	454T-0203
53.98	2.1250	2-1/8		454H-0204	454T-0204
54.00	2.1260	-		454H-54	454T-54
54.77	2.1563	2-5/32		454H-0205	454T-0205
55.00	2.1654	-		454H-55	454T-55
55.56	2.1875	2-3/16		454H-0206	454T-0206
56.00	2.2047	-		454H-56	454T-56
56.36	2.2188	2-7/32		454H-0207	454T-0207
57.00	2.2441	-		454H-57	454T-57
57.15	2.2500	2-1/4		454H-0208	454T-0208
57.94	2.2813	2-9/32		454H-0209	454T-0209
58.00	2.2835	-		454H-58	454T-58
58.74	2.3125	2-5/16		454H-0210	454T-0210
59.00	2.3228	-		454H-59	454T-59
59.53	2.3438	2-11/32		454H-0211	454T-0211
60.00	2.3622	-		454H-60	454T-60
60.33	2.3750	2-3/8		454H-0212	454T-0212
61.00	2.4016	-		454H-61	454T-61
61.12	2.4063	2-13/32		454H-0213	454T-0213
61.91	2.4375	2-7/16		454H-0214	454T-0214
62.00	2.4409	-	454H-62	454T-62	
62.71	2.4688	2-15/32	454H-0215	454T-0215	
63.00	2.4803	-	454H-63	454T-63	
63.50	2.5000	2-1/2	454H-0216	454T-0216	
64.00	2.5197	-	454H-64	454T-64	
64.29	2.5313	2-17/32	454H-0217	454T-0217	
65.00	2.5591	-	454H-65	454T-65	
65.09	2.5625	2-9/16	454H-0218	454T-0218	

Destičky se dodávají po 1 ks

A30: 114 - 145

A30: 90 - 92

A30: 4 - 6



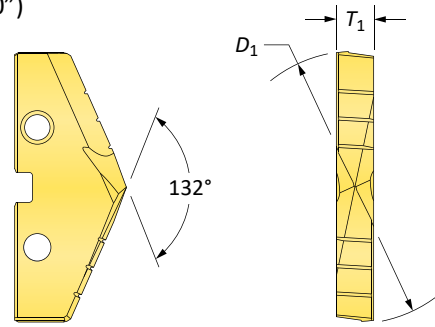
Položky s povlaky neuvedenými výše jsou dodávány jako nestandardní.



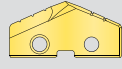
TiN = 131T-XXXX	TiAlN = 131A-XXXX
TiCN = 131N-XXXX	AM200® = 131H-XXXX

Břítové destičky GEN2 T-A®

Série 4 | HSS | Rozsah průměrů: 46,99 mm - 65,28 mm (1.850" - 2.570")



Destičky HSS – HSS

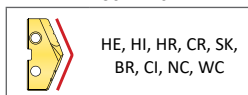
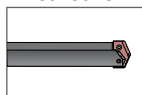
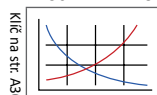
Destička				Kód
D_1 mm	D_1 inch	Palců (zlomkem)	T_1 mm	 TiN
48.00	1.8898	-	7.94	434T-48
48.42	1.9063	1-29/32		434T-0129
49.00	1.9291	-		434T-49
49.21	1.9375	1-15/16		434T-0130
50.00	1.9685	-		434T-50
50.01	1.9688	1-31/32		434T-0131
50.80	2.0000	2		434T-0200
51.00	2.0079	-		434T-51
51.59	2.0313	2-1/32		434T-0201
52.00	2.0472	2-3/64		434T-52
52.39	2.0625	2-1/16		434T-0202
53.00	2.0866	-		434T-53
53.18	2.0938	2-3/32		434T-0203
53.98	2.1250	2-1/8		434T-0204
54.00	2.1260	-		434T-54
54.77	2.1563	2-5/32		434T-0205
55.00	2.1654	-		434T-55
55.56	2.1875	2-3/16		434T-0206
56.00	2.2047	-		434T-56
56.36	2.2188	2-7/32		434T-0207
57.00	2.2441	-		434T-57
57.15	2.2500	2-1/4		434T-0208
57.94	2.2813	2-9/32		434T-0209
58.00	2.2835	-		434T-58
58.74	2.3125	2-5/16		434T-0210
59.00	2.3228	-		434T-59
59.53	2.3438	2-11/32		434T-0211
60.00	2.3622	-		434T-60
60.33	2.3750	2-3/8		434T-0212
61.00	2.4016	-		434T-61
61.12	2.4063	2-13/32		434T-0213
61.91	2.4375	2-7/16		434T-0214
62.00	2.4409	-	434T-62	
62.71	2.4688	2-15/32	434T-0215	
63.00	2.4803	-	434T-63	
63.50	2.5000	2-1/2	434T-0216	
64.00	2.5197	-	434T-64	
64.29	2.5313	2-17/32	434T-0217	
65.00	2.5591	-	434T-65	
65.09	2.5625	2-9/16	434T-0218	

Destičky se dodávají po 1 ks

A30: 114 - 145

A30: 90 - 92

A30: 4 - 6



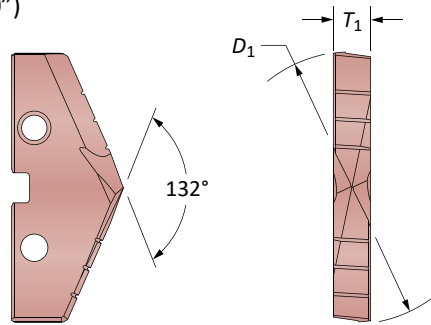
Položky s povlaky
neuvezenými výše jsou
dodávány jako nestandardní.



TiN = 131T-XXXX	TiAlN = 131A-XXXX
TiCN = 131N-XXXX	AM200® = 131H-XXXX

**Břitové destičky T-A® Original**

Série 4 | HSS | Rozsah průměrů: 46,99 mm - 65,28 mm (1.850" - 2.570")

**Destičky HSS – Super Cobalt**

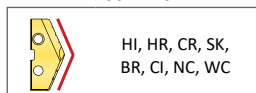
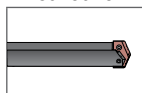
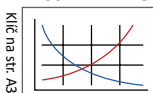
Destička				Kód
D_1 mm	D_1 inch	Palců (zlomkem)	T_1 mm	AM200®
48.00	1.8898	-	7.94	154H-48
48.42	1.9063	1-29/32		154H-0129
49.00	1.9291	-		154H-49
49.21	1.9375	1-15/16		154H-0130
50.00	1.9685	-		154H-50
50.01	1.9688	1-31/32		154H-0131
50.80	2.0000	2		154H-0200
51.00	2.0079	-		154H-51
51.59	2.0313	2-1/32		154H-0201
52.00	2.0472	2-3/64		154H-52
52.39	2.0625	2-1/16		154H-0202
53.00	2.0866	-		154H-53
53.18	2.0938	2-3/32		154H-0203
53.98	2.1250	2-1/8		154H-0204
54.00	2.1260	-		154H-54
54.77	2.1563	2-5/32		154H-0205
55.00	2.1654	-		154H-55
55.56	2.1875	2-3/16		154H-0206
56.00	2.2047	-		154H-56
56.36	2.2188	2-7/32		154H-0207
57.00	2.2441	-		154H-57
57.15	2.2500	2-1/4		154H-0208
57.94	2.2813	2-9/32		154H-0209
58.00	2.2835	-		154H-58
58.74	2.3125	2-5/16		154H-0210
59.00	2.3228	-		154H-59
59.53	2.3438	2-11/32		154H-0211
60.00	2.3622	-		154H-60
60.33	2.3750	2-3/8		154H-0212
61.00	2.4016	-		154H-61
61.12	2.4063	2-13/32		154H-0213
61.91	2.4375	2-7/16		154H-0214
62.00	2.4409	-	154H-62	
62.71	2.4688	2-15/32	154H-0215	
63.00	2.4803	-	154H-63	
63.50	2.5000	2-1/2	154H-0216	
64.00	2.5197	-	154H-64	
64.29	2.5313	2-17/32	154H-0217	
65.00	2.5591	-	154H-65	
65.09	2.5625	2-9/16	154H-0218	

Destičky se dodávají po 1 ks

A30: 114 - 145

A30: 90 - 92

A30: 4 - 6



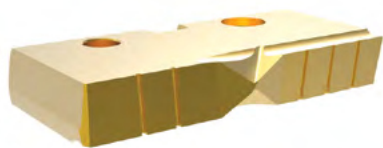
Položky s povlaky
neuvedenými výše jsou
dodávány jako nestandardní.



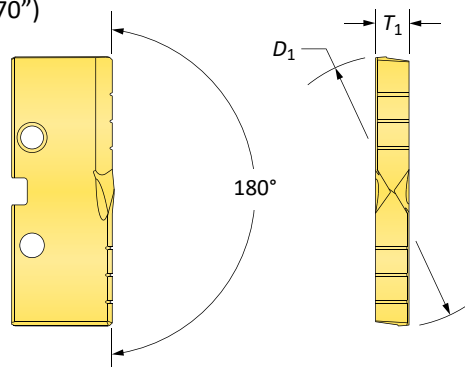
TiN = 131T-XXXX	TiAlN = 131A-XXXX
TiCN = 131N-XXXX	AM200® = 131H-XXXX

Břítové destičky T-A® Original

Série 4 | HSS | Rozsah průměrů: 46,99 mm - 65,28 mm (1.850" - 2.570")



Rovné dno (FB)



Destičky HSS – Super Cobalt

Destička				Kód
D_1 mm	D_1 inch	Palců (zlomkem)	T_1 mm	TiN
48.00	1.8898	-	7.94	154T-48-FB
48.42	1.9063	1-29/32		154T-0129-FB
49.00	1.9291	-		154T-49-FB
49.21	1.9375	1-15/16		154T-0130-FB
50.00	1.9685	-		154T-50-FB
50.01	1.9688	1-31/32		154T-0131-FB
50.80	2.0000	2		154T-0200-FB
51.00	2.0079	-		154T-51-FB
51.59	2.0313	2-1/32		154T-0201-FB
52.00	2.0472	2-3/64		154T-52-FB
52.39	2.0625	2-1/16		154T-0202-FB
53.00	2.0866	-		154T-53-FB
53.18	2.0938	2-3/32		154T-0203-FB
53.98	2.1250	2-1/8		154T-0204-FB
54.00	2.1260	-		154T-54-FB
54.77	2.1563	2-5/32		154T-0205-FB
55.00	2.1654	-		154T-55-FB
55.56	2.1875	2-3/16		154T-0206-FB
56.00	2.2047	-		154T-56-FB
56.36	2.2188	2-7/32		154T-0207-FB
57.00	2.2441	-		154T-57-FB
57.15	2.2500	2-1/4		154T-0208-FB
57.94	2.2813	2-9/32		154T-0209-FB
58.00	2.2835	-		154T-58-FB
58.74	2.3125	2-5/16		154T-0210-FB
59.00	2.3228	-		154T-59-FB
59.53	2.3438	2-11/32		154T-0211-FB
60.00	2.3622	-		154T-60-FB
60.33	2.3750	2-3/8		154T-0212-FB
61.00	2.4016	-		154T-61-FB
61.12	2.4063	2-13/32		154T-0213-FB
61.91	2.4375	2-7/16		154T-0214-FB
62.00	2.4409	-	154T-62-FB	
62.71	2.4688	2-15/32	154T-0215-FB	
63.00	2.4803	-	154T-63-FB	
63.50	2.5000	2-1/2	154T-0216-FB	
64.00	2.5197	-	154T-64-FB	
64.29	2.5313	2-17/32	154T-0217-FB	
65.00	2.5591	-	154T-65-FB	
65.09	2.5625	2-9/16	154T-0218-FB	

A30: 114 - 145 A30: 90 - 92 A30: 4 - 6 FN

Klíč na str. A30: 1

Položky s povlaky neuvedenými výše jsou dodávány jako nestandardní.

Destičky se dodávají po 1 ks

TiN = 131T-XXXX	TiAlN = 131A-XXXX
TiCN = 131N-XXXX	AM200® = 131H-XXXX